

Bosch 4000S 12L

The Bosch 4000S External is an electronically controlled continuous flow water heater, designed for an easy change-over from Bosch Pilot & HydroPower models

The Bosch 4000S 12L External offers:

- ▶ 6 Star efficiency
- ▶ Electronically controlled
- ▶ Designed for easy change-over from Bosch HydroPower and Pilot models
- ▶ 12L flow rate
- ▶ 50°C locked options available



Please contact Bosch on 1300 30 70 37 or visit www.bosch-climate.com.au for more information.



BOSCH

Hot Water & Heating

Bosch 4000S External

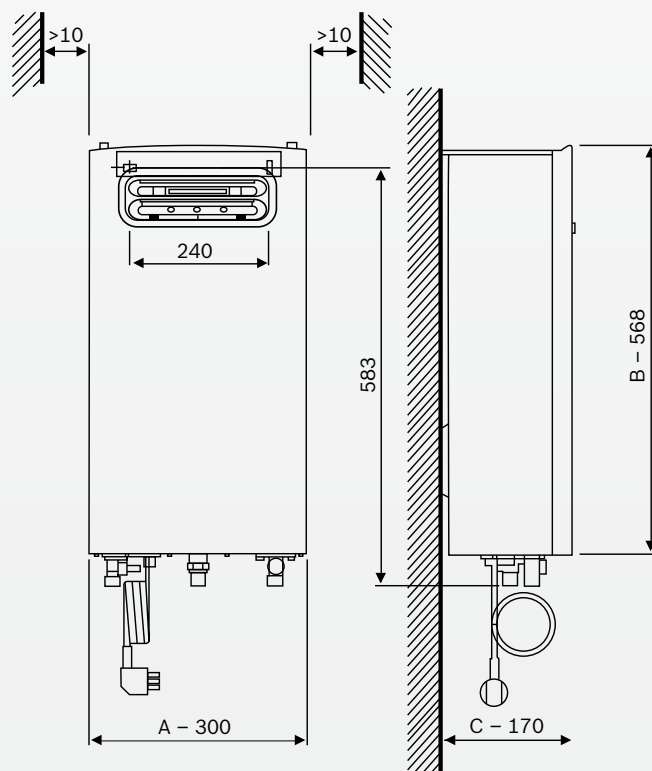


- ▶ 6 Star efficiency
- ▶ Electronically controlled modulation
- ▶ Easy change-over from Bosch Pilot and HydroPower models

Technical Features	Units	12L model
Performance		
Maximum Gas Consumption	MJ	90
Minimum Gas Consumption	MJ	11.9
Efficiency at 100% of nominal load	%	82.4
Data relating to gas – Permissible gas operating pressure		
Natural gas	kPa	1.13
LP gas	kPa	2.75
Data relating to the water		
Maximum supply pressure	kPa	1000
Minimum operating pressure	kPa	100
Start up flow @ 15°C inlet water temperature	l/min	2.0
Maximum flow, corresponding to a temperature increase of 25°C	l/min	12.0
Maximum inlet temperature	°C	80
Temperature locked model available (adjustable to deliver 50°C at tap)		Yes
Electrical circuit		
Power supply voltage	VAC	230-240
Maximum power consumption	W	100
General data		
Weight (unpacked)	kg	10
Height	mm	570
Width	mm	300
Depth	mm	170
Warranty Details (Domestic)		
Parts and Labour	Years	3
Heat Exchanger only	Years	10

Measurements (mm)	A	B	C
12L model	300	568	170

Connections			
Water		Gas	
Cold	Hot	Nat.	GLP
½"	½"	¾"	¾"



Description

4000S External 12L NG
4000S External 12L LPG
4000S External 12L 50°C LOCKED NG
4000S External 12L 50°C LOCKED LPG

Bosch Part Number

7736502491
7736502492
7736502493
7736502494

Please contact Bosch on 1300 30 70 37 or visit www.bosch-climate.com.au for more information.



BOSCH

Hot Water & Heating